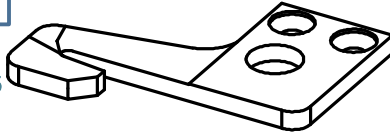


FOR PICANOL RAPIER

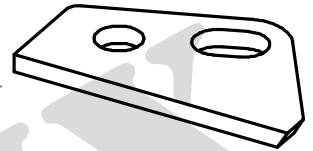
3050

3050 - GTM (WEFT)

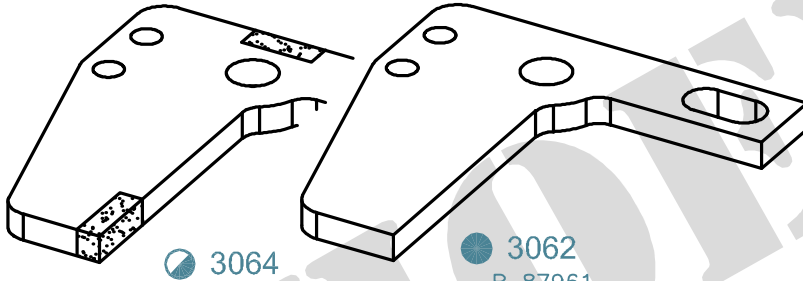
- 3051
B 84143
- 3053



- 3052
B 84154
- 3054

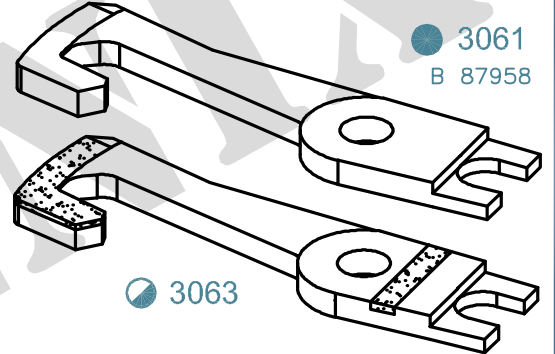


3060 - GTM - AS (WEFT)



○ 3064

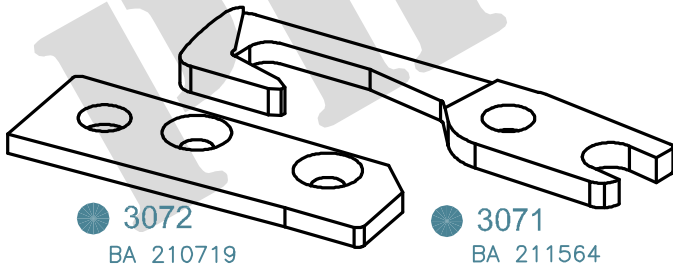
● 3062
B 87961



● 3061
B 87958

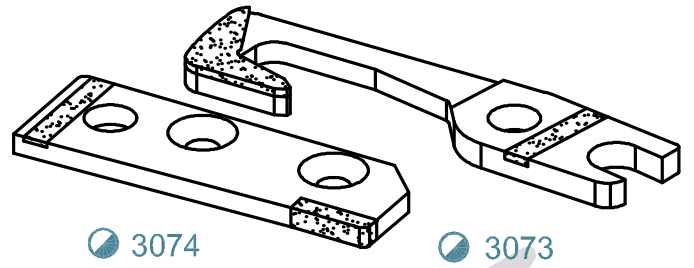
○ 3063

3070 - GAMMA 4R , GAMMAX 8R (WEFT)



● 3072
BA 210719

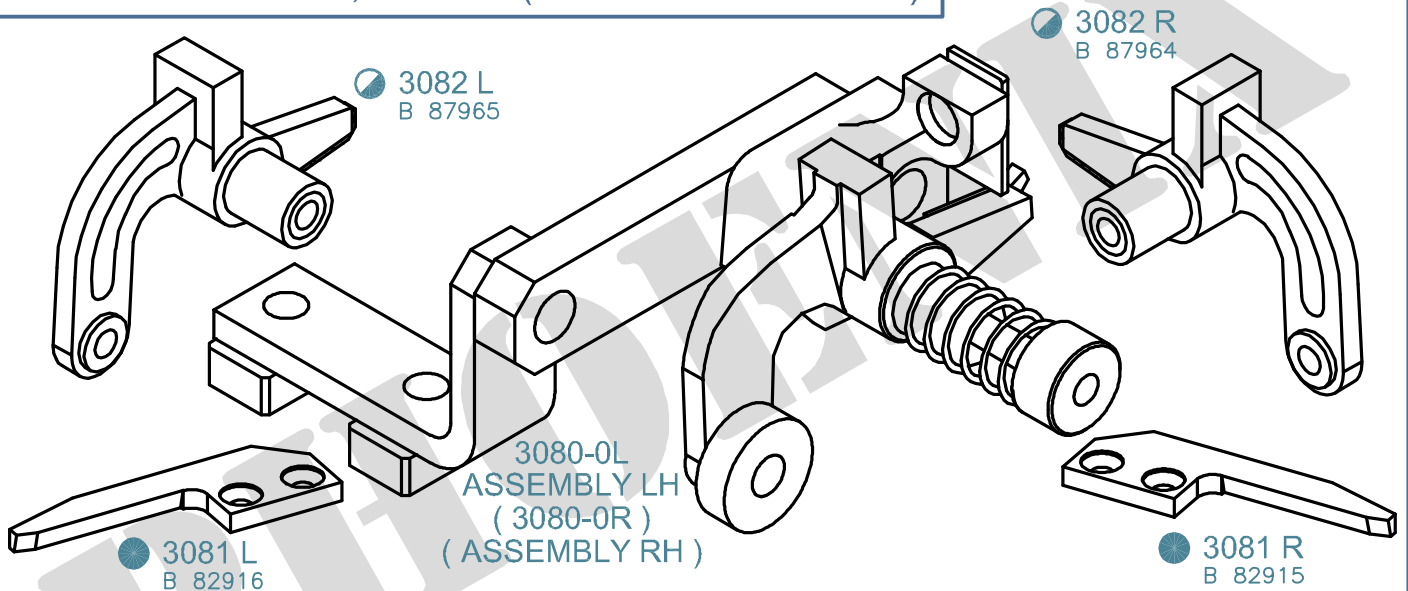
● 3071
BA 211564



○ 3074

○ 3073

3080 - GTM / GTX , GAMMA (SELVEDGE RH & LH)



○ 3082 L
B 87965

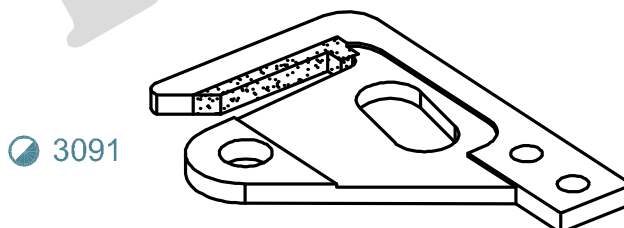
○ 3082 R
B 87964

● 3081 L
B 82916

3080-0L
ASSEMBLY LH
(3080-0R)
(ASSEMBLY RH)

● 3081 R
B 82915

3090 - PGW



○ 3091

MATERIAL CODE : ● SOLID CARBIDE , ○ HSS , ○ BRAZED CARBIDE , ○ TIN COATED